

Product Code: CD-86

33-inch White Fireclay Standard 1.0 Bowl
Ceramic Inset Sink with Reversible Drainer



PRODUCT FEATURES

- **Fine Fireclay Construction:** Expertly crafted for lasting durability and a timeless aesthetic.
- **HPC™ Density Tech:** Utilizing High-Pressure Casting to achieve 30% higher density than traditional manufacturing methods.
- **1200°C HYPER-FIRING:** Processed in a 22-hour tunnel kiln for a surface that is exceptionally resistant to scratches, stains, chips, and thermal shock.
- **Reinforced Design:** Engineered to withstand the rigors of both professional culinary environments and residential kitchens.
- **Standard Drain:** Features a standard 3-1/2" drain opening.

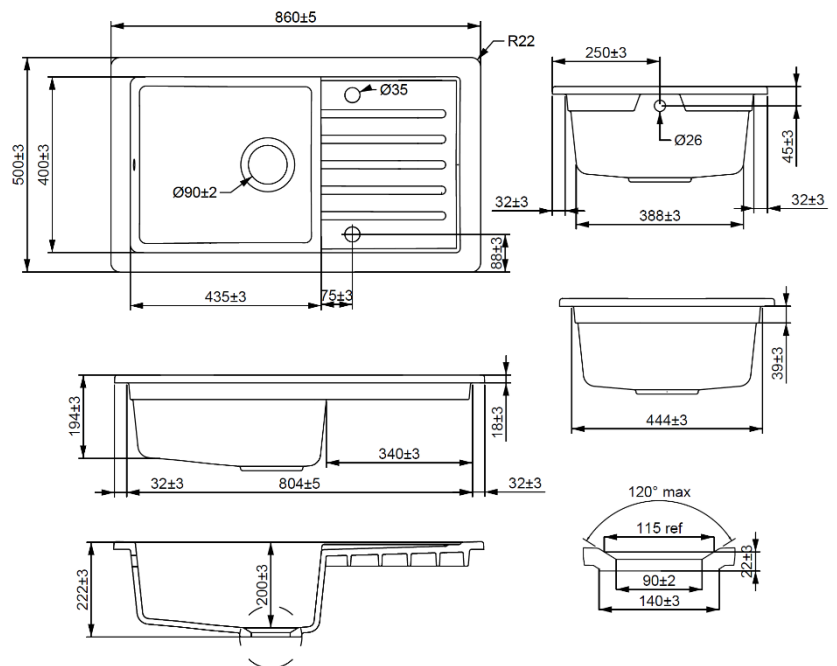
COLORS

- **Standard Colors:** White
- **Premium Colors:** Matte Gray Matte Black



TECHNICAL INFORMATION

- **Sink Dimensions:**
33 7/8" x 19 11/16" x 8 3/4" (860*500*222 mm)
- **Please note tolerances on drawing.**
- **N.W.:** 24.75 KG



STANDARDS APPLICAB

- **cUPC** (Uniform Plumbing Code)
- **CE** (European Conformity)
- **UKCA** (UK Conformity Assessed)
- **WaterMark**